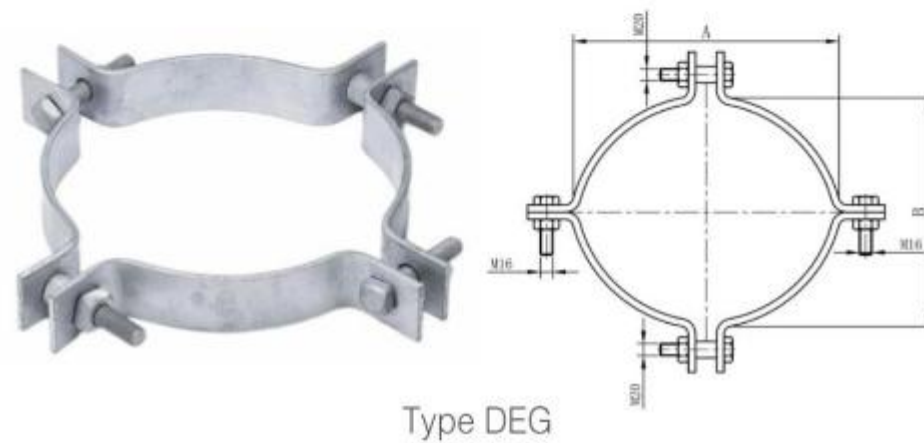
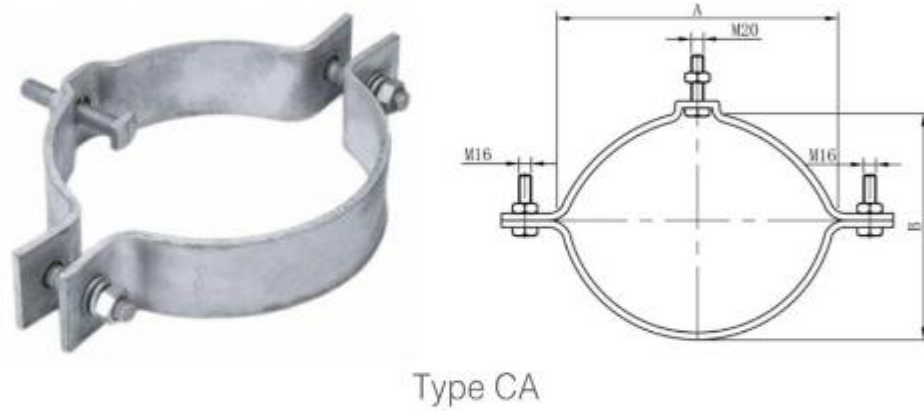
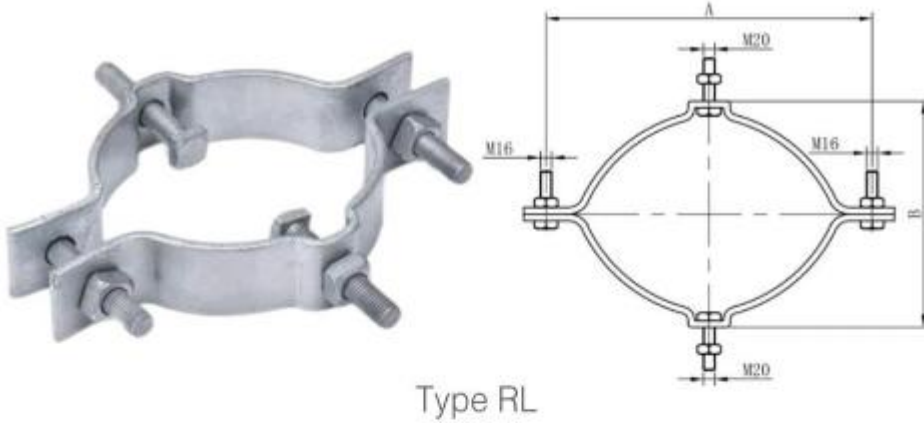


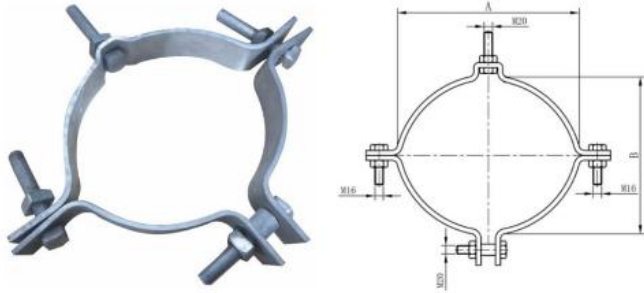
**Product Information:**

Pole clamps are used to line up the poles with steel farms, and are usually consist of two, three, or four pieces of bands and certain number bolts and nuts.

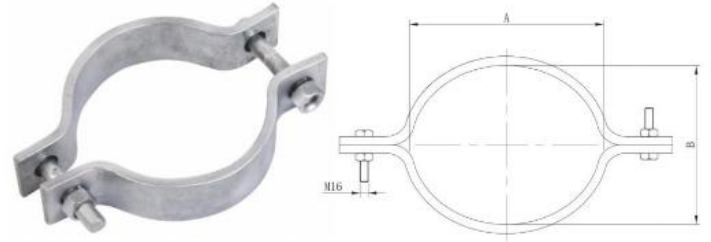
Material: Hot Dipped galvanized Steel

The heavy duty is 64x8mm, The light duty is 50 x 6mm





Type GCA



Type 2A

Type	Clamp Range		
	Dimension inch(mm)	Rangc(mm)	Inch
RL	8(203)	178- 203	7-8
	9(229)	203-229	8-9
	10(254)	229-254	9-10
CA	8(203)	178-203	7-8
	9(229)	203-229	8-9
	10(254)	229- -254	9-10
DEG	8(203)	178- 203	7-8
	9(229)	203- -229	8-9
	10(254)	229-254	9-10
GCA	8(203)	178- 203	7-8
	9(229)	203- -229	8-9
	10(254)	229- -254	9-10
2A	8(203)	178- -203	7-8
	9(229)	203- -229	8-9
	10(254)	229- 254	9-10